

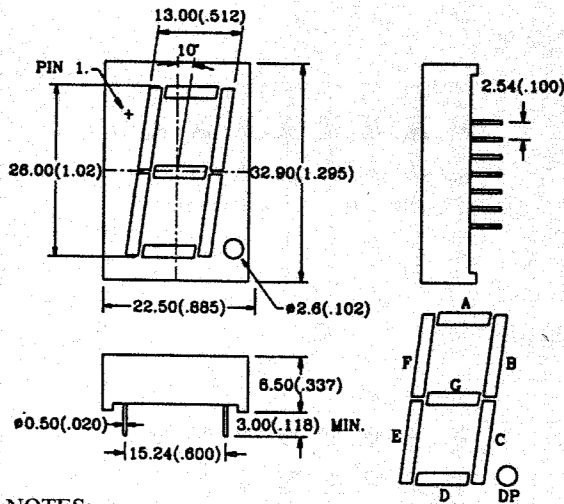
C/A-1021X series ...

26.00mm(1.02 inch) SINGLE DIGIT DISPLAY

MAIN FEATURES ;

- ⊙ 26.00mm(1.02inch) HIGH CHARACTER
- ⊙ EXCELLENT CHARACTER APPERARANCE
- ⊙ COMMON CATHODE AND COMMON ANODE
- ⊙ I.C. COMPATABLE
- ⊙ LOW POWER CONSUMPTION

◆ PACKAGE DIMENSIONS

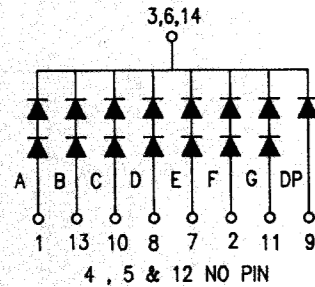


NOTES:

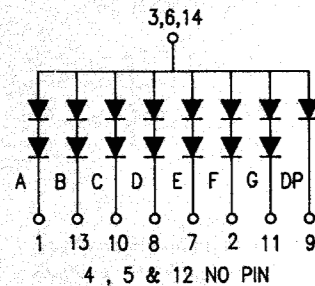
1. All Dimension are in millimeter(inches).
2. Tolerance is $\pm 0.25\text{mm}(0.010\text{'})$ unless otherwise specified.

◆ PIN CONNECTION AND INTERNAL CIRCUIT

C-1021X



A-1021X



◆ SELECTION GUIDE AND APPLICATION INFORMATION (RATINGS AT 25°C AMBIENT)

Part No.	Remark 1 Selection of Sur / Seg Color	Chip Raw Material	C.C. or C.A.	Wave Length λ p(nm)	Absolute Maximum Ratings					Electro-Optical Characteristics					Re- mark
					Emitted Color	$\Delta \lambda$	Pd	If	If (Peak)	Vf(V) Min. Typ. Max.	If (Rec)	Iv (μ cd) Min. Typ.			
C-1021H	GW,BW,BR,RR	GaP	Bright Red	700	90	45	15	50	3.4	4.2	5.6	5~10	600	1200	
C-1021E	GW,BW,BR,RR	GaAsP/GaP	Hi. effi Red	635	45	100	30	160	3.4	4.0	5.6	10~20	1600	4200	
C-1021G	GW,BW,GGn,BGn	GaP	Green	565	30	100	30	160	3.4	4.2	5.6	10~20	1200	4000	
C-1021Y	GW,BW,GY,BY	GaAsP/GaP	Yellow	585	30	100	30	160	3.4	4.2	5.6	10~20	1200	3200	
C-1021I	GW,BW,BR,RR	GaAlAs	Hi. effi Red	625	20	60	20	160	3.2	3.6	4.2	10~20	3800	10000	
C-1021SR	GW,BW,BR,RR	GaAlAs	Super Red	660	20	60	20	160	3.2	3.6	4.2	10~20	10000	40000	
A-1021H	GW,BW,BR,RR	GaP	Bright Red	700	90	45	15	50	3.4	4.2	5.6	5~10	600	1200	
A-1021E	GW,BW,BR,RR	GaAsP/GaP	Hi. effi Red	635	45	100	30	160	3.4	4.0	5.6	10~20	1600	4200	
A-1021G	GW,BW,GGn,BGn	GaP	Green	565	30	100	30	160	3.4	4.2	5.6	10~20	1200	4000	
A-1021Y	GW,BW,GY,BY	GaAsP/GaP	Yellow	585	30	100	30	160	3.4	4.2	5.6	10~20	1200	3200	
A-1021I	GW,BW,BR,RR	GaAlAs	Hi. effi Red	625	20	60	20	160	3.2	3.6	4.2	10~20	3800	10000	
A-1021SR	GW,BW,BR,RR	GaAlAs	Super Red	660	20	60	20	160	3.2	3.6	4.2	10~20	10000	40000	

Remark 1 : Selection of Surface color & Segment color

- | | |
|------------------------------------|-------------------------------------|
| GW : Grey surface & White segment | GGn : Grey surface & Green segment |
| BW : Black surface & White segment | BGn : Black surface & Green segment |
| BR : Black surface & Red segment | GY : Grey surface & Yellow segment |
| RR : Red surface & Red segment | BY : Black surface & Yellow segment |

*****Please indicate Surface Color & Segment Color when place order or request samples. *****

For example : C-1021E BR is 1.02 inch Single digit display with Black Surface & Red Segment.

Normally, GW (Grey surface & White segment) is standard product.

◆ ABSOLUTE MAXIMUM RATING: (Ta=25°C)

Reverse Voltage	: 5 Volt
Reverse Current(Vr = 5V)	: 10 μ A
Operating Temperature Range	: -40°C to +85°C
Storage Temperature Range	: -40°C to +100°C
Lead Soldering Temperature	: 260°C for 5 Seconds
(1.6mm(1/16inch) from body)	

◆ ELECTRO-OPTICAL CHARACTERISTICS: (Ta=25°C)

Para meter Description	Symbol	Unit
Spectral Line half-Width	$\Delta \lambda$	nm
Power Dissipation	Pd	mW
Peak Forward Current (Duty 1/10,@KHz)	If(Peak)	mA
Recommended Operation Current	If(Rec)	mA
Average Luminuous intensity (If = 10mA)	Iv	mcd