

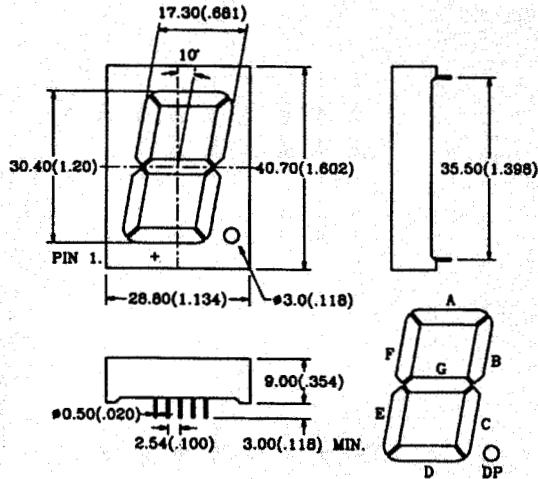
C/A-1201X series ...

30.40mm(1.2 inch) SINGLE DIGIT DISPLAY

MAIN FEATURES :

- ⊙ 30.40mm(1.2inch) HIGH CHARACTER
- ⊙ EXCELLENT CHARACTER APPERANCE
- ⊙ COMMON CATHODE AND COMMON ANODE
- ⊙ I.C. COMPATABLE
- ⊙ LOW POWER CONSUMPTION

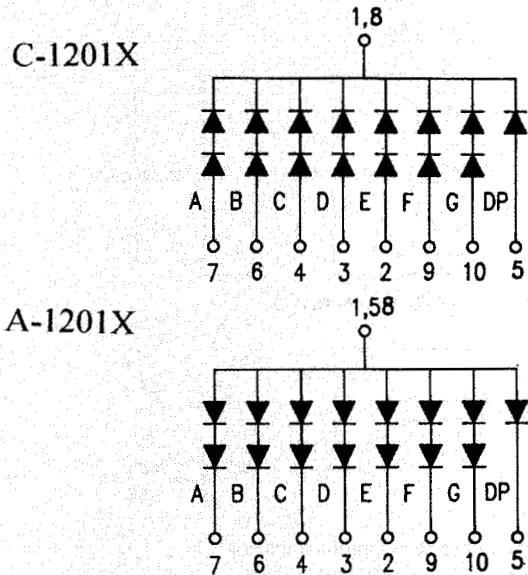
◆ PACKAGE DIMENSIONS



NOTES:

1. All Dimension are in millimeter(inches).
2. Tolerance is $\pm 0.25\text{mm}(0.010\text{'})$ unless otherwise specified.

◆ PIN CONNECTION AND INTERNAL CIRCUIT



◆ SELECTION GUIDE AND APPLICATION INFORMATION (RATINGS AT 25°C AMBIENT)

Part No.	Remark 1 Selection of Sur / Seg Color	Chip Raw Material	C.C. or C.A.	Wave Length λ p(nm)	Absolute Maximum Ratings					Electro-Optical Characteristics					Re- mark 2
					$\Delta \lambda$ nm	Pd mW	If mA	If (Peak)	Vf(V) Min.	Vf(V) Typ.	Vf(V) Max.	If (Rec)	Iv(μ cd) Min.	Iv(μ cd) Typ.	
C-1201E	GW,BW,BR,RR	GaAsP/GaP	Common Cathode	635	45	100	30	160	3.4	4.0	5.6	10~20	1600	4200	
C-1201G	GW,BW,GGn,BGn	GaP		565	30	100	30	160	3.4	4.2	5.6	10~20	1200	4000	
C-1201Y	GW,BW,GY,BY	GaAsP/GaP		585	30	100	30	160	3.4	4.2	5.6	10~20	1200	3200	
C-1201H	GW,BW,BR,RR	GaAlAs		625	20	60	20	160	3.2	3.6	4.2	10~20	3800	10000	
C-1201SR	GW,BW,BR,RR	GaAlAs		660	20	60	20	160	3.2	3.6	4.2	10~20	10000	40000	
A-1201E	GW,BW,BR,RR	GaAsP/GaP	Common Anode	635	45	100	30	160	3.4	4.0	5.6	10~20	1600	4200	
A-1201G	GW,BW,GGn,BGn	GaP		565	30	100	30	160	3.4	4.2	5.6	10~20	1200	4000	
A-1201Y	GW,BW,GY,BY	GaAsP/GaP		585	30	100	30	160	3.4	4.2	5.6	10~20	1200	3200	
A-1201H	GW,BW,BR,RR	GaAlAs		625	20	60	20	160	3.2	3.6	4.2	10~20	3800	10000	
A-1201SR	GW,BW,BR,RR	GaAlAs		660	20	60	20	160	3.2	3.6	4.2	10~20	10000	40000	

Remark 1 : Selection of Surface color & Segment color

- | | |
|------------------------------------|-------------------------------------|
| GW : Grey surface & White segment | GGn : Grey surface & Green segment |
| BW : Black surface & White segment | BGn : Black surface & Green segment |
| BR : Black surface & Red segment | GY : Grey surface & Yellow segment |
| RR : Red surface & Red segment | BY : Black surface & Yellow segment |

*****Please indicate Surface Color & Segment Color when place order or request samples. *****

For example : C-1201E BW is 1.2 inch Single digit display with Black Surface & White Segment.

Normally, GW (Grey surface & White segment) is standard product.

◆ ABSOLUTE MAXIMUM RATING: (Ta=25°C)

Reverse Voltage	: 5 Volt
Reverse Current(Vr = 5V)	: 10 μ A
Operating Temperature Range	: -40°C to +85°C
Storage Temperature Range	: -40°C to +100°C
Lead Soldering Temperature (1.6mm(1/16inch) from body)	: 260°C for 5 Seconds

◆ ELECTRO-OPTICAL CHARACTERISTICS: (Ta=25°C)

Para meter Description	Symbol	Unit
Spectral Line half-Width	$\Delta \lambda$	nm
Power Dissipation	Pd	mW
Peak Forward Current (Duty 1/10,@KHz)	If(Peak)	mA
Recommended Operation Current	If(Rec)	mA
Average Luminous intensity (If = 10mA)	Iv	mcd