

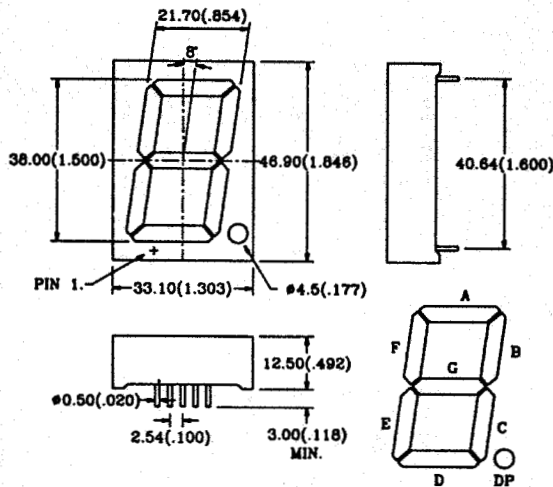
C/A-1501X series ...

38.00mm(1.5 inch) SINGLE DIGIT DISPLAY

MAIN FEATURES ;

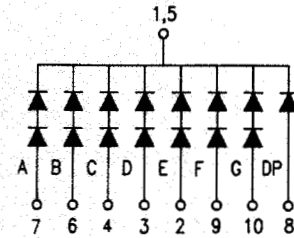
- ⊙ 38.00mm(1.5inch) HIGH CHARACTER
- ⊙ EXCELLENT CHARACTER APPERARANCE
- ⊙ COMMON CATHODE AND COMMON ANODE
- ⊙ I.C. COMPATABLE
- ⊙ LOW POWER CONSUMPTION

◆ PACKAGE DIMENSIONS

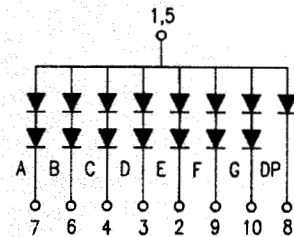


◆ PIN CONNECTION AND INTERNAL CIRCUIT

C-1501X



A-1501X



NOTES:

1. All Dimension are in millimeter(inches).
2. Tolerance is $\pm 0.25\text{mm}(0.010\text{'})$ unless otherwise specified.

◆ SELECTION GUIDE AND APPLICATION INFORMATION (RATINGS AT 25°C AMBIENT)

Part No.	Remark 1 Selection of Sur / Seg Color	Chip Raw Emitted Material Color	C.C. or C.A.	Wave Length λ	Absolute Maximum Ratings					Electro-Optical Characteristics					Re- mark 2	
					$\Delta \lambda$	Pd	If	If	If	Vf(V)	If	Iv (μ cd)				
				p(nm)	nm	mW	mA	(Peak)	Min.	Typ.	Max.	(Rec)	Min.	Typ.		
C-1501E	GW,BW,BR,RR	GaAsP/GaP	Hi. effi Red	Common	635	45	100	30	160	3.4	4.0	5.6	10-20	1600	4200	
C-1501G	GW,BW,GGn,BGn	GaP	Green		565	30	100	30	160	3.4	4.2	5.6	10-20	1200	4000	
C-1501Y	GW,BW,GY,BY	GaAsP/GaP	Yellow	Cathode	585	30	100	30	160	3.4	4.2	5.6	10-20	1200	3200	
C-1501I	GW,BW,BR,RR	GaAlAs	Hi. effi Red		625	20	60	20	160	3.2	3.6	4.2	10-20	3800	10000	
C-1501SR	GW,BW,BR,RR	GaAlAs	Super Red		660	20	60	20	160	3.2	3.6	4.2	10-20	10000	40000	
A-1501E	GW,BW,BR,RR	GaAsP/GaP	Hi. effi Red	Common	635	45	100	30	160	3.4	4.0	5.6	10-20	1600	4200	
A-1501G	GW,BW,GGn,BGn	GaP	Green		565	30	100	30	160	3.4	4.2	5.6	10-20	1200	4000	
A-1501Y	GW,BW,GY,BY	GaAsP/GaP	Yellow	Anode	585	30	100	30	160	3.4	4.2	5.6	10-20	1200	3200	
A-1501I	GW,BW,BR,RR	GaAlAs	Hi. effi Red		625	20	60	20	160	3.2	3.6	4.2	10-20	3800	10000	
A-1501SR	GW,BW,BR,RR	GaAlAs	Super Red		660	20	60	20	160	3.2	3.6	4.2	10-20	10000	40000	

Remark 1 : Selection of Surface color & Segment color

- | | |
|------------------------------------|-------------------------------------|
| GW : Grey surface & White segment | GGn : Grey surface & Green segment |
| BW : Black surface & White segment | BGn : Black surface & Green segment |
| BR : Black surface & Red segment | GY : Grey surface & Yellow segment |
| RR : Red surface & Red segment | BY : Black surface & Yellow segment |

*****Please indicate Surface Color & Segment Color when place order or request samples. *****

For example : A-1501E GW is 1.5 inch Single digit display with Grey surface & White Segment.

Normally, GW (Grey surface & White segment) is standard product.

◆ ABSOLUTE MAXIMUM RATING: (Ta=25°C)

Reverse Voltage	: 5 Volt
Reverse Current(Vr = 5V)	: 10 μ A
Operating Temperature Range	: -40°C to +85°C
Storage Temperature Range	: -40°C to +100°C
Lead Soldering Temperature	: 260°C for 5 Seconds
(1.6mm(1/16inch) from body)	

◆ ELECTRO-OPTICAL CHARACTERISTICS: (Ta=25°C)

Para meter Description	Symbol	Unit
Spectral Line half-Width	$\Delta \lambda$	nm
Power Dissipation	Pd	mW
Peak Forward Current (Duty 1/10,@KHz)	If(Peak)	mA
Recommended Operation Current	If(Rec)	mA
Average Luminous intensity (If = 10mA)	Iv	mcd