

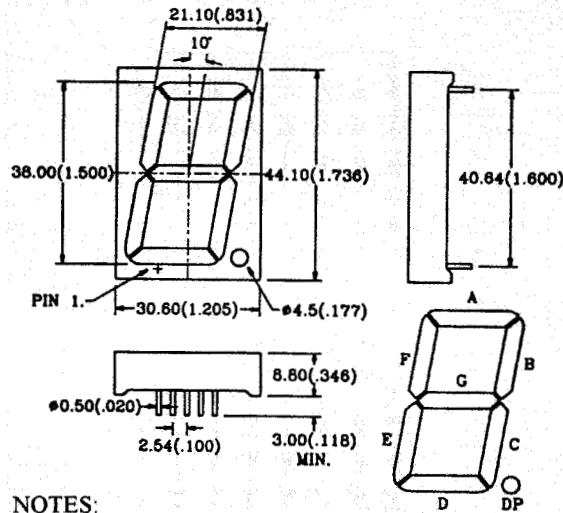
# C/A-1505X series ...

## 38.00mm( 1.5 inch) SINGLE DIGIT DISPLAY

### MAIN FEATURES :

- ⊙ 38.00mm(1.5inch) HIGH CHARACTER
- ⊙ EXCELLENT CHARACTER APPERARANCE
- ⊙ COMMON CATHODE AND COMMON ANODE
- ⊙ I.C. COMPATABLE
- ⊙ LOW POWER CONSUMPTION

### ◆ PACKAGE DIMENSIONS

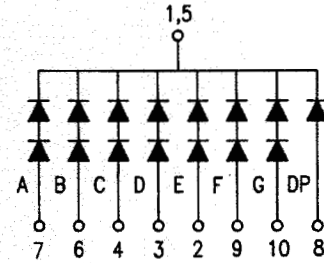


#### NOTES:

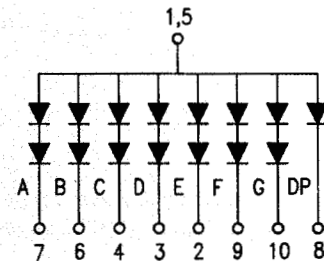
1. All Dimension are in millimeter(inches).
2. Tolerance is  $\pm 0.25\text{mm}(0.010\text{'})$  unless otherwise specified.

### ◆ PIN CONNECTION AND INTERNAL CIRCUIT

C-1505X



A-1505X



### ◆ SELECTION GUIDE AND APPLICATION INFORMATION (RATINGS AT 25°C AMBIENT)

Part No.	Remark 1		Chip		C.C. or C.A.	Wave Absolute Maximum Ratings					Electro-Optical Characteristics					Re- mark 2
	Sur / Seg	Color	Raw Material	Emitted Color		Length $\lambda$ (nm)	$\Delta \lambda$ nm	Pd mW	If mA	If (Peak)	Vf(V) Min.	Typ.	Max.	If (Rec)	Iv ( $\mu$ cd) Min.	
C-1505E	GW,BW,BR,RR		GaAsP/GaP	Hi. effi Red	Common Cathode	635	45	100	30	160	3.4	4.0	5.6	10~20	1600	4200
C-1505G	GW,BW,GGn,BGn		GaP	Green		565	30	100	30	160	3.4	4.2	5.6	10~20	1200	4000
C-1505Y	GW,BW,GY,BY		GaAsP/GaP	Yellow		585	30	100	30	160	3.4	4.2	5.6	10~20	1200	3200
C-1505I	GW,BW,BR,RR		GaAlAs	Hi. effi Red		625	20	60	20	160	3.2	3.6	4.2	10~20	3800	10000
C-1505SR	GW,BW,BR,RR		GaAlAs	Super Red		660	20	60	20	160	3.2	3.6	4.2	10~20	10000	40000
A-1505E	GW,BW,BR,RR		GaAsP/GaP	Hi. effi Red		Common Anode	635	45	100	30	160	3.4	4.0	5.6	10~20	1600
A-1505G	GW,BW,GGn,BGn		GaP	Green	565		30	100	30	160	3.4	4.2	5.6	10~20	1200	4000
A-1505Y	GW,BW,GY,BY		GaAsP/GaP	Yellow	585		30	100	30	160	3.4	4.2	5.6	10~20	1200	3200
A-1505I	GW,BW,BR,RR		GaAlAs	Hi. effi Red	625		20	60	20	160	3.2	3.6	4.2	10~20	3800	10000
A-1505SR	GW,BW,BR,RR		GaAlAs	Super Red	660		20	60	20	160	3.2	3.6	4.2	10~20	10000	40000

Remark 1 : Selection of Surface color & Segment color

GW : Grey surface & White segment  
 BW : Black surface & White segment  
 BR : Black surface & Red segment  
 RR : Red surface & Red segment

GGn : Grey surface & Green segment  
 BGn : Black surface & Green segment  
 GY : Grey surface & Yellow segment  
 BY : Black surface & Yellow segment

\*\*\*\*\*Please indicate Surface Color & Segment Color when place order or request samples. \*\*\*\*\*

For example : A-1501E BR is 1.5 inch Single digit display with Black surface & Red Segment.

Normally, GW ( Grey surface & White segment ) is standard product.

### ◆ ABSOLUTE MAXIMUM RATING: (Ta=25°C)

Reverse Voltage	: 5 Volt
Reverse Current( Vr = 5V )	: 10 $\mu$ A
Operating Temperature Range	: -40°C to +85°C
Storage Temperature Range	: -40°C to +100°C
Lead Soldering Temperature	: 260°C for 5 Seconds
( 1.6mm(1/16inch) from body)	

### ◆ ELECTRO-OPTICAL CHARACTERISTICS: (Ta=25°C)

Para meter Description	Symbol	Unit
Spectral Line half-Width	$\Delta \lambda$	nm
Power Dissipation	Pd	mW
Peak Forward Current (Duty 1/10,@KHz)	If(Peak)	mA
Recommended Operation Current	If(Rec)	mA
Average Luminous intensity (If = 10mA)	Iv	mcd