

# AZ Displays, Inc.

## DESCRIPTION

Enhanced Power LED Revolutionary Light Source Module

## FEATURES

Full RGB color in one single LED package  
Low thermal resistance

Part Number:

EP-204K-35G1R1B1-CA

## TYPICAL APPLICATIONS

Reading Light / Flashlight / Track Lighting  
Under Shelf / Task Lighting  
Emergency Lighting / Traffic Signals  
Security / Full Color Sign Boards



## ABSOLUTE MAXIMUM RATINGS Ta=25°C

Parameter	Value	Units
DC Forward Current	50 <sup>(1)</sup>	mA
Pulsed Forward Current	70 <sup>(2)</sup>	mA
Power Dissipation	460	mW
Operating Temperature Range	-20 to 80	°C
Storage Temperature Range	-35 to 85	°C
Soldering Temperature	245	°C
Thermal Resistance RTJ-PCB-AIR(°C/W)	36	°C/W
LED Junction Temperature	110	°C

Notes:

1. The rating is per color (chip)
2. RGB operating condition: f=0.5~2Hz and 1/2 duty cycle
3. Suggested operating current: 35mA / chip

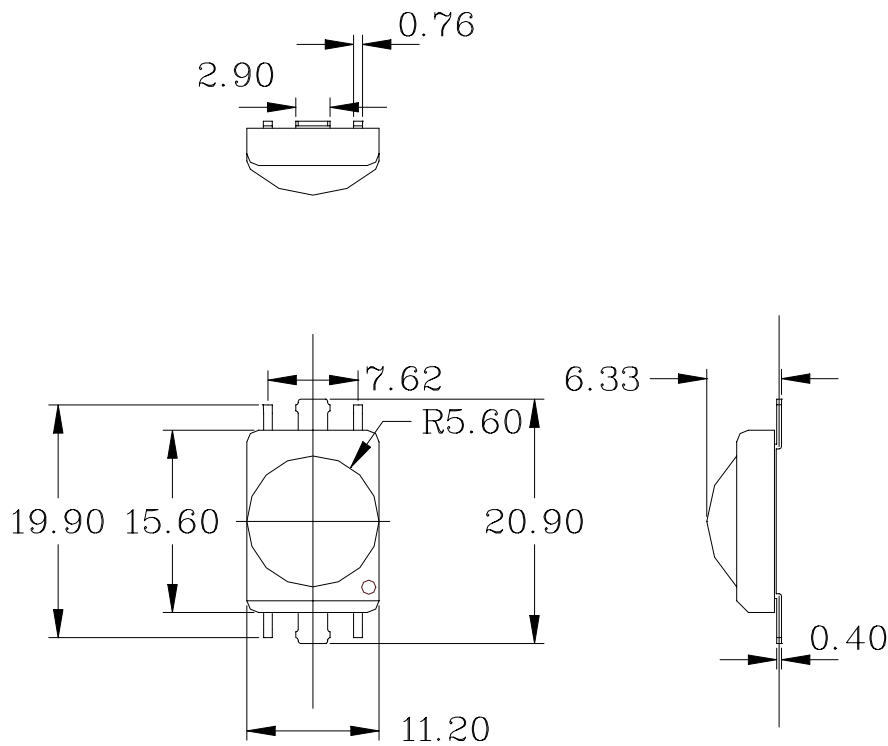
# AZ Displays, Inc.

## ELECTRICAL CHARACTERISTICS

$T_a = 25^{\circ}\text{C}$   $I_F = 50\text{mA}$

	Forward Voltage $V_f$ (Volts)	Reverse Current $I_R$ ( $\mu\text{A}$ )	Intensity $I_v$ (cd)	Total Flux $\phi_v$ (lm)	Dominant Wavelength $\lambda_D$ (nm)	Viewing Angle $2\theta_{1/2}$ (Degrees)			
Unit	Min	Typ	Max	Max	Min	Typ	Typ	Typ	
<b>RED</b>	-	2.0	2.6	10	0.3	0.5	-	620 Red Orange	-
<b>GREEN</b>	-	3.6	4.0	10	0.8	1.6	-	525 Green	-
<b>BLUE</b>	-	3.6	4.0	10	0.3	0.5	-	470 Blue	-
<b>RGB</b>	-	-	-	-	2	4	4	-	100

## OUTLINE DRAWINGS



### NOTE

1. All dimensions are in millimeters.
2. Tolerance is 0.25mm unless otherwise specified.
3. This specification is subject to change without notice.

# AZ Displays, Inc.

## PIN CONNECTION

