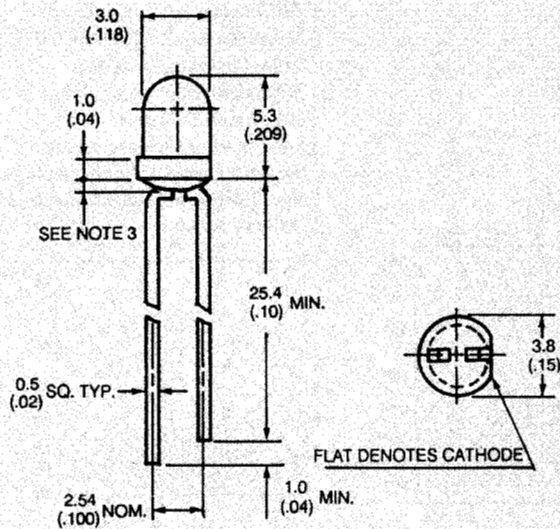


# L-314XX series ...

## 3mm Dia LED LAMP

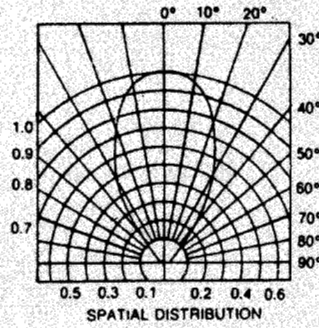
- MAIN FEATURES :**
- ⊙ 3mm DIA LED LAMP
  - ⊙ POPULAR T-1, 1" LEAD
  - ⊙ I.C. COMPATIBLE
  - ⊙ LOW POWER CONSUMPTION

### ◆ PACKAGE DIMENSIONS

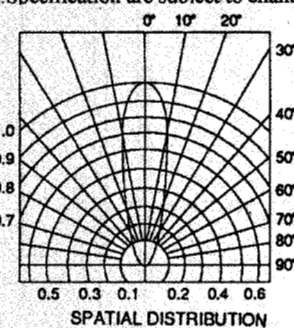


### Notes:

1. All Dimension are in millimeter.
2. Tolerance is  $\pm 0.25\text{mm}(0.010")$  unless otherwise specified.
3. Protruded resin under flange is is 1.5mm(0.59") max.
4. Lead spacing is measured where the leads emerge from the package.
5. Specification are subject to change



L-314XD



L-314XC&XT

### ◆ SELECTION GUIDE AND APPLICATION INFORMATION ( RATINGS AT 25°C AMBIENT )

Part No.	Chip		Lens Color	Wave Length $\lambda$ p(nm)	Absolute Maximum Ratings			Electro-Optical Characteristics					View Angle (deg)		
	Raw Material	Emitted Color			$\Delta\lambda$ nm	Pd mW	If mA	If (Peak)	Vf(V)			If Iv (mcd)			
								Min.	Typ.	Max.	(Rec)	Min.	Typ.		
L-314RD	GaAsP	Red	Red Diffused	655	40	110	40	200	1.5	1.7	2.0	10~20	0.5	3.0	60
L-314HD	GaP	Bright Red	Red Diffused	700	90	45	15	50	1.7	2.1	2.8	5~10	0.8	5.0	60
L-314ED	GaAsP/GaP	Hi. effi Red	Red Diffused	635	45	100	30	160	1.7	2.0	2.8	10~20	3.0	20.0	60
L-314ED-E	GaAsP/GaP	Orange	Orange Dffused	635	45	100	30	160	1.7	2.0	2.8	10~20	3.0	20.0	60
L-314GD	GaP	Green	Green Diffused	565	30	100	30	160	1.7	2.1	2.8	10~20	2.5	12.5	60
L-314YD	GaAsP/GaP	Yellow	Yellow Diffused	585	30	100	30	160	1.7	2.1	2.8	10~20	2.5	12.5	60
L-314AD	GaAsP/GaP	Amber	Amber Diffused	585	30	100	30	160	1.7	2.1	2.8	10~20	2.5	12.5	60
L-314I D	GaAlAs	Hi. effi Red	Red Diffused	625	20	60	20	160	1.6	1.8	2.1	10~20	20.0	50.0	60
L-314SRD	GaAlAs	Super Red	Red Diffused	660	20	60	20	160	1.6	1.8	2.1	10~20	50.0	100	60
L-314LRD	GaAlAs	Super Red	Red Diffused	660	20	60	20	160	1.6	1.8	2.1	10~20	100	200	60
L-314URD	GaAlAs	Super Red	Red Diffused	660	20	60	20	160	1.6	1.8	2.1	10~20	200	300	60
L-314HT	GaP	Bright Red	Red Transparent	700	90	45	15	50	1.7	2.1	2.8	5~10	5.0	10.0	30
L-314ET	GaAsP/GaP	Hi. effi Red	Red Transparent	635	45	100	30	160	1.7	2.0	2.8	10~20	12.0	40.0	30
L-314ET-E	GaAsP/GaP	Orange	Orange Transparent	635	45	100	30	160	1.7	2.0	2.8	10~20	12.0	40.0	30
L-314GT	GaP	Green	Green Transparent	565	30	100	30	160	1.7	2.1	2.8	10~20	8.0	20.0	30
L-314YT	GaAsP/GaP	Yellow	Yellow Transparent	585	30	100	30	160	1.7	2.1	2.8	10~20	8.0	20.0	30
L-314AT	GaAsP/GaP	Amber	Amber Transparent	585	30	100	30	160	1.7	2.1	2.8	10~20	8.0	20.0	30
L-314I T	GaAlAs	Hi. effi Red	Red Transparent	625	20	60	20	160	1.6	1.8	2.1	10~20	40.0	100	30
L-314SRT	GaAlAs	Super Red	Red Transparent	660	20	60	20	160	1.6	1.8	2.1	10~20	100	200	30
L-314LRT	GaAlAs	Super Red	Red Transparent	660	20	60	20	160	1.6	1.8	2.1	10~20	200	350	30
L-314URT	GaAlAs	Super Red	Red Transparent	660	20	60	20	160	1.6	1.8	2.1	10~20	350	500	30
L-314HC	GaP	Bright Red	Water Clear	700	90	45	15	50	1.7	2.1	2.8	5~10	5.0	15.0	30
L-314EC	GaAsP/GaP	Hi. effi Red	Water Clear	635	45	100	30	160	1.7	2.0	2.8	10~20	12.0	50.0	30
L-314GC	GaP	Green	Water Clear	565	30	100	30	160	1.7	2.1	2.8	10~20	8.0	30.0	30
L-314YC	GaAsP/GaP	Yellow	Water Clear	585	30	100	30	160	1.7	2.1	2.8	10~20	8.0	30.0	30
L-314I C	GaAlAs	Hi. effi Red	Water Clear	625	20	60	20	160	1.6	1.8	2.1	10~20	50.0	150	30
L-314SRC	GaAlAs	Super Red	Water Clear	660	20	60	20	160	1.6	1.8	2.1	10~20	150	500	30
L-314LRC	GaAlAs	Super Red	Water Clear	660	20	60	20	160	1.6	1.8	2.1	10~20	500	700	30
L-314URC	GaAlAs	Super Red	Water Clear	660	20	60	20	160	1.6	1.8	2.1	10~20	700	1000	30