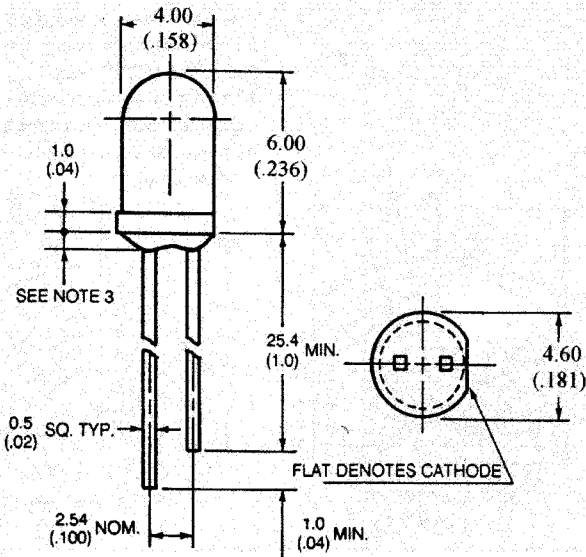


L-394XD series ...

4mm Dia LED LAMP-COLOR DIFFUSED

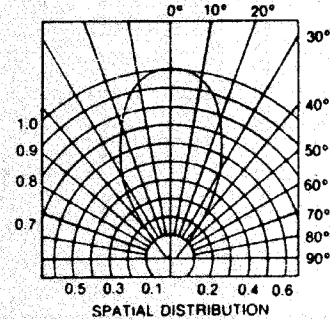
- MAIN FEATURES :**
- ⊙ 4mm DIA LED LAMP
 - ⊙ POPULAR T-1, 1" LEAD
 - ⊙ I.C. COMPATIBLE
 - ⊙ LOW POWER CONSUMPTION

◆ PACKAGE DIMENSIONS



Notes:

1. All Dimension are in millimeter.
2. Tolerance is $\pm 0.25\text{mm}(0.010")$ unless otherwise specified.
3. Protruded resin under flange is is 1.5mm(0.59") max.
4. Lead spacing is measured where the leads emerge from the package.
5. Specification are subject to change without notice.



◆ SELECTION GUIDE AND APPLICATION INFORMATION (RATINGS AT 25°C AMBIENT)

Part No.	Chip		Lens Color	Wave Length λ p(nm)	Absolute Maximun Ratings				Electro-Optical Characteristics					View Angle (deg)	
	Raw Material	Emitted Color			$\Delta\lambda$ nm	Pd mW	If mA	If (Peak)	Vf(V) Min.	Vf(V) Typ.	Vf(V) Max.	If (Rec)	Iv (mcd) Min.		Iv (mcd) Typ.
L-394RD	GaAsP	Red	Red Diffused	655	40	110	40	200	1.5	1.7	2.0	10~20	0.5	3.0	60
L-394HD	GaP	Bright Red	Red Diffused	700	90	45	15	50	1.7	2.1	2.8	5~10	0.8	5.0	60
L-394ED	GaAsP/GaP	Hi. effi Red	Red Diffused	635	45	100	30	160	1.7	2.0	2.8	10~20	3.0	20.0	60
L-394ED-E	GaAsP/GaP	Orange	Orange Diffused	635	45	100	30	160	1.7	2.0	2.8	10~20	3.0	20.0	60
L-394GD	GaP	Green	Green Diffused	565	30	100	30	160	1.7	2.1	2.8	10~20	2.5	12.5	60
L-394SGD	GaP	Green	Green Diffused	565	30	100	30	160	1.7	2.1	2.8	10~20	12.5	30.0	60
L-394LGD	GaP	Green	Green Diffused	565	30	100	30	160	1.7	2.1	2.8	10~20	30.0	60.0	60
L-394UGD	GaP	Green	Green Diffused	565	30	100	30	160	1.7	2.1	2.8	10~20	60.0	90.0	60
L-394YD	GaAsP/GaP	Yellow	Yellow Diffused	585	30	100	30	160	1.7	2.1	2.8	10~20	2.5	12.5	60
L-394SYD	GaAsP/GaP	Yellow	Yellow Diffused	585	30	100	30	160	1.7	2.1	2.8	10~20	12.5	30.0	60
L-394LYD	GaAsP/GaP	Yellow	Yellow Diffused	585	30	100	30	160	1.7	2.1	2.8	10~20	30.0	60.0	60
L-394AD	GaAsP/GaP	Amber	Amber Diffused	585	30	100	30	160	1.7	2.1	2.8	10~20	2.5	12.5	60
L-394SRD	GaAlAs	Super Red	Red Diffused	660	20	60	20	160	1.6	1.8	2.1	10~20	50.0	100	60
L-394LRD	GaAlAs	Super Red	Red Diffused	660	20	60	20	160	1.6	1.8	2.1	10~20	100	200	60
L-394URD	GaAlAs	Super Red	Red Diffused	660	20	60	20	160	1.6	1.8	2.1	10~20	200	300	60

◆ ABSOLUTE MAXIMUN RATING: (Ta=25°C)

Reverse Voltage	: 5 Volt
Reverse Current (Vr = 5V)	: 10 μ A
Operating Temperature Range	: -40°C to +85°C
Storage Temperature Range	: -40°C to +100°C
Lead Soldering Temperature	: 260°C for 5 Seconds
(1.6mm(1/16inch) from body)	

◆ ELECTRO-OPTICAL CHARACTERISTICS: (Ta=25°C)

Para meter Description	Symbol	Unit
Spectral Line half-Width	$\Delta\lambda$	nm
Power Dissipation	Pd	mW
Peak Forward Current (Duty 1/10,@KHz)	If(Peak)	mA
Recommended Operation Current	If(Rec)	mA
Average Luminous intensity (If = 10mA)	Iv	mcd