

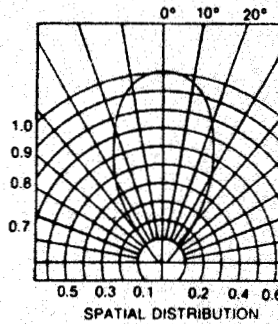
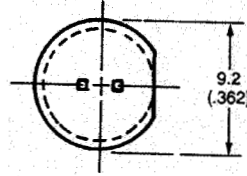
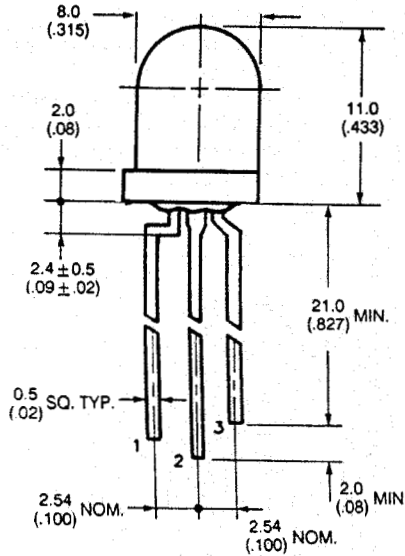
L-819XXW Series...

8.0mm Dia LED LAMP-MULTI COLOR

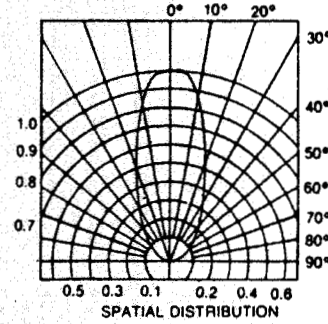
MAIN FEATURES :

- ⊙ 8.0mm DIA LED LAMP
- ⊙ LOW POWER CONSUMPTION
- ⊙ LONG LIFE-SOLIDSTATE RELIABILITY
- ⊙ I. C. COMPATIBLE
- ⊙ TWO CHIPS ARE MATCHED FOR UNIFORM LIGHT OUTPUT

PACKAGE DIMENSIONS



L-819XXW



L-819XXC

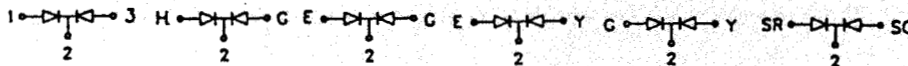


Fig. 1

Fig. 2

Fig. 3

Fig. 4

Fig. 5

Notes:

1. All Dimension are in millimeter.
2. Tolerance is $\pm 0.25\text{mm}(0.010\text{'})$ unless otherwise specified.
3. Protruded resin under flange is 1.5mm(0.59") max.
4. Lead spacing is measured where the leads emerge from the package.
5. Specification are subject to change without notice.

SELECTION GUIDE AND APPLICATION INFORMATION (RATINGS AT 25°C AMBIENT)

Part No.	Chip		Lens Color	Wave					Electro-Optical Characteristics					View Angle (deg)	Fig.	
	Raw Material	Emitted Color		Length λ (nm)	$\Delta\lambda$ nm	Pd mW	If mA	If (Peak)	Vf(V) Min.	Vf(V) Typ.	Vf(V) Max.	If (Rec)	Iv (mcd) Min.			Iv (mcd) Typ.
L-819EGW	GaAsP/GaP	Hi.effi Red	White	635	45	100	30	160	1.7	2.0	2.8	10~20	10.0	20.0	60	2
	GaP	Green	Diffused	565	30	100	30	160	1.7	2.1	2.8	10~20	8.0	15.0		
L-819EYW	GaAsP/GaP	Hi.effi Red	White	635	45	100	30	160	1.7	2.0	2.8	10~20	10.0	20.0	60	3
	GaAsP/GaP	Yellow	Diffused	585	30	100	30	160	1.7	2.1	2.8	10~20	8.0	15.0		
L-819GYW	GaP	Green	White	565	30	100	30	160	1.7	2.1	2.8	10~20	8.0	15.0	60	4
	GaAsP/GaP	Yellow	Diffused	585	30	100	30	160	1.7	2.1	2.8	10~20	8.0	15.0		
L-819SRSGW	GaAlAs	Super Red	White	660	20	60	20	160	1.6	1.8	2.1	10~20	50.0	150	60	5
	GaP	Green	Diffused	565	30	100	30	160	1.7	2.1	2.8	10~20	20.0	50.0		
L-819EGC	GaAsP/GaP	Hi.effi Red	Water	635	45	100	30	160	1.7	2.0	2.8	10~20	25.0	50.0	40	2
	GaP	Green	Clear	565	30	100	30	160	1.7	2.1	2.8	10~20	20.0	30.0		
L-819EYC	GaAsP/GaP	Hi.effi Red	Water	635	45	100	30	160	1.7	2.0	2.8	10~20	25.0	50.0	40	3
	GaAsP/GaP	Yellow	Clear	585	30	100	30	160	1.7	2.1	2.8	10~20	20.0	30.0		
L-819GYC	GaP	Green	Water	565	30	100	30	160	1.7	2.1	2.8	10~20	20.0	30.0	40	4
	GaAsP/GaP	Yellow	Clear	585	30	100	30	160	1.7	2.1	2.8	10~20	20.0	30.0		
L-819SRSGC	GaAlAs	Super Red	Water	660	20	60	20	160	1.6	1.8	2.1	10~20	300	500	40	5
	GaP	Green	Clear	565	30	100	30	160	1.7	2.1	2.8	10~20	30.0	150		

ABSOLUTE MAXIMUM RATING: (Ta=25°C)

Reverse Voltage	: 5 Volt
Reverse Current(Vr = 5V)	: 10 μ A
Operating Temperature Range	: -40°C to +85°C
Storage Temperature Range	: -40°C to +100°C
Lead Soldering Temperature	: 260°C for 5 Seconds
(1.6mm(1/16inch) from body)	

ELECTRO-OPTICAL CHARACTERISTICS: (Ta=25°C)

Para meter Description	Symbol	Unit
Spectral Line half-Width	$\Delta\lambda$	nm
Power Dissipation	Pd	mW
Peak Forward Current (Duty 1/10,@KHz)	If(Peak)	mA
Recommended Operation Current	If(Rec)	mA
Average Luminous intensity (If= 10mA)	Iv	mcd